



2.4G-2.5GHz 19dBi High Gain Directional Panel Outdoor Antenna MODEL: PA-242519

APPLICATIONS AND FEATURES

Applications:

- 2.4-2.5 GHz ISM Band
- IEEE 802.11b, 802.11g, 802.11n Wireless LAN
- Directional and multipoint applications
- Bluetooth
- Public Wireless Hotspot
- WiFi, RFID
- Wireless Video Systems

Features:

- Superior performance
- The weight is light
- Good appearance designs
- DC Short lightning protection
- Installed for vertical or horizontal polarization
- Behind and support is an aluminum
- support is up and down or so to adjust
- Outdoor antenna for public hot-spots
- Includes tilt and swivel mast mount brackets
- RoHS Compliant

SPECIFICATIONS:

Electrical Specifications

Frequency Range	2400 - 2500 MHz
V.S.W.R	≤ 1.5
Return Loss	≥ -15db
Antenna Type	PCB patch array
Gain	19dBi
Polarization	Vertical or Horizontal
Maximum Power	50W
Vertical Beam-with	17°
Horizontal Beam-with	17°
Impedance	50 Ohm
Connector	N-Female

Mechanical Specifications

Length	370×370mm
Depth	25mm
Weight	800g
Wind Survival	> 120 MPH
Radome Material	ABS + UV resistance
Antenna Back Plate	Aluminum
Operating Temperature	-40°C to +80°C
Down-tilt (Aluminum)	"L " Style 0-30°
Mounting / Clamps	32 – 45mm / U-bolt
RoHS Compliant	Yes





PA-242519 Test Report

2.4-2.5GHz 19dBi Hight Gain Directional Panel WLAN Antenna

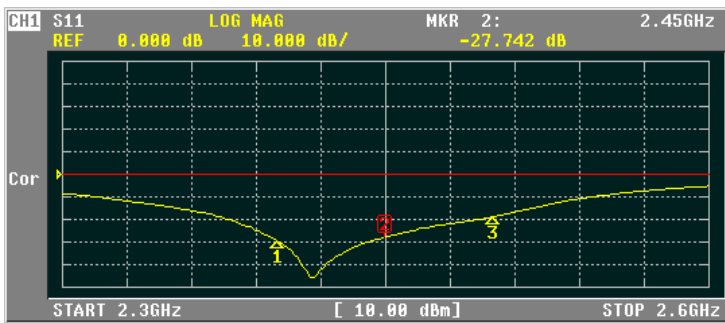
The appearance of PA-242519 has good outdoors characteristic for the ABS, PA-242519 all materials are all to consider good of watertightness and prevention rust of characteristic, and the products all pass a strict test test, satisfy professional user for product need, the PA-242519 can let the user be used for perpendicularity to turn very to turn with level very, letting the user do an usage according to the environment need

PA-242519 antennas are professionally engineered and manufactured with the highest industry quality at the lowest possible price providing extreme value. The Panel antenna is designed for the 2.4-2.5GHz ISM band, supporting 2.4 to 2.5 GHz and provides superb performance in IEEE 802.11b/g/n WiFi

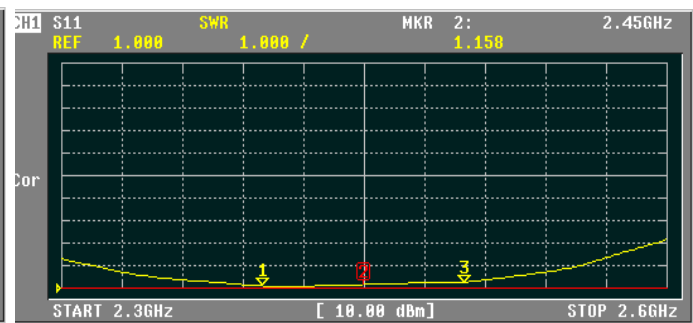
The antenna includes mounting bracket and hardware for up to 2" (32~45mm)OD masts. Made with Apparel is ABS(UV) and Metal with an integrated N Female connector.

The antenna "L" style staddle is have many action,user can adjust "L"style Up 30° and Down 30° and stong anchor manner.

Retuen loss & V.S.W.R



CH1 MARKER LIST	
1: 2.400 000GHz	-29.455 dB
2: 2.450 000GHz	-27.752 dB
3: 2.500 000GHz	-18.713 dB
4:	
5:	
6:	
7:	
8:	
9:	
10:	



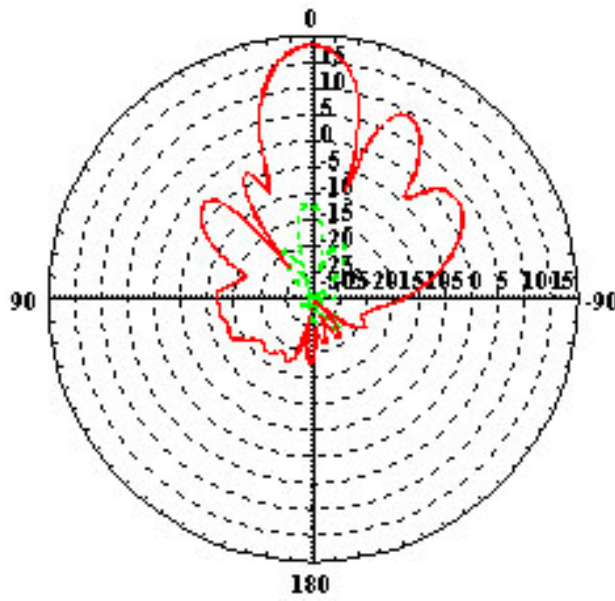
CH1 MARKER LIST	
1: 2.400 000GHz	1.009
2: 2.450 000GHz	1.150
3: 2.500 000GHz	1.270
4:	
5:	
6:	
7:	
8:	
9:	
10:	

Retuen loss

V.S.W.R

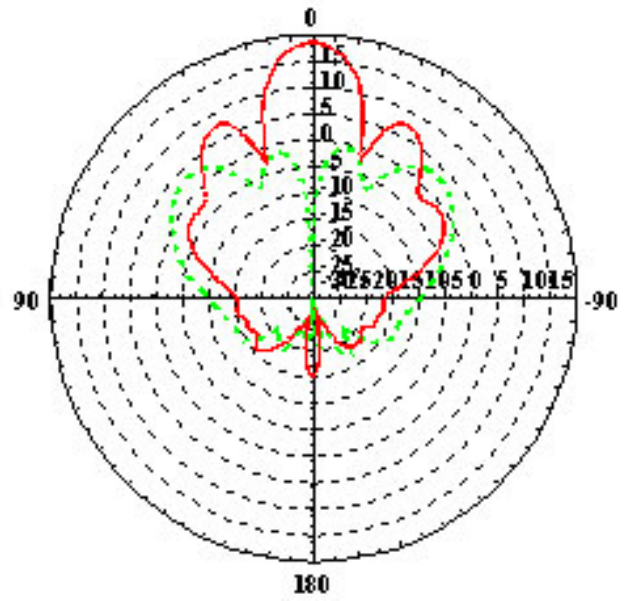


Antenna Vertical & Horizontal Pattern



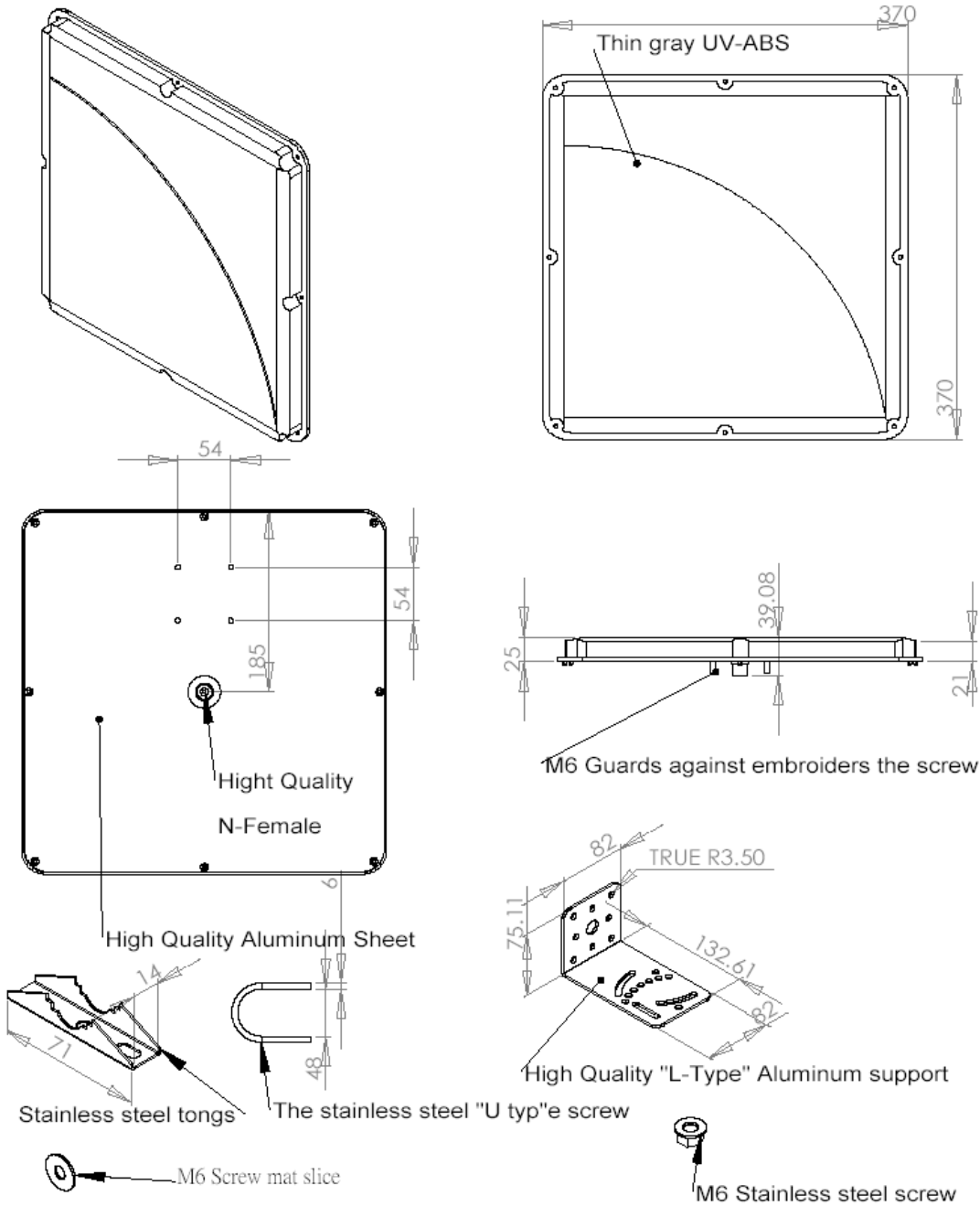
Vertical

E-plane co-pol ----- 3-dB beam-with= 17°

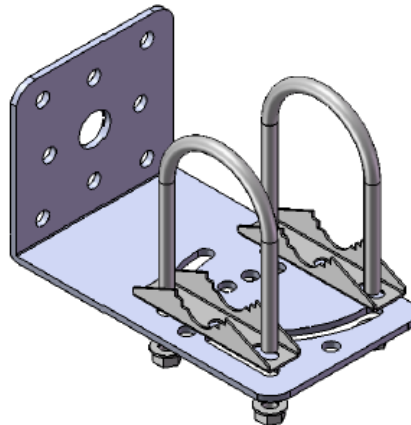
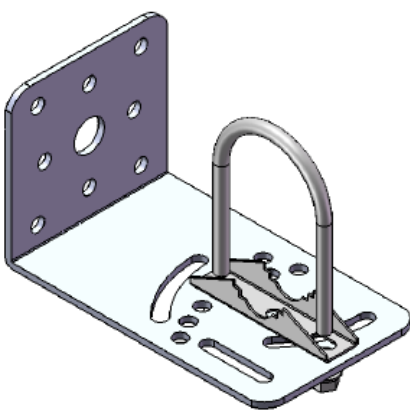
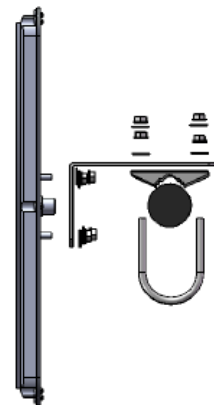
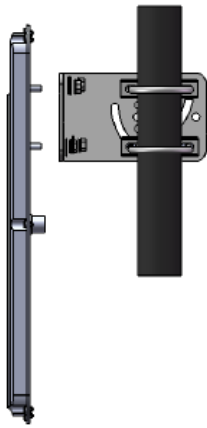
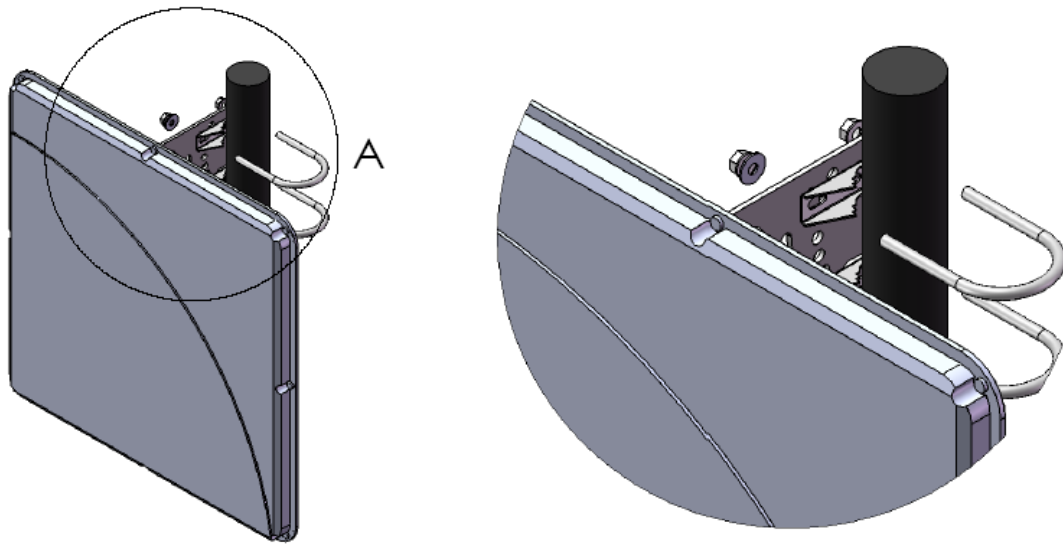


Horizontal

H-plane co-pol ----- 3-dB beam-with= 17°



Product name	Amount	Remarks
Antenna	1	ABS and Aluminum
"L" type support	1	Aluminum
Tongs	2	Stainless steel
M6 "U" type screw	2	Stainless steel
M6 screw	8	Stainless steel
M6 Screw mat slice	8	Stainless steel





Also We have as following specification of Directional Panel Antenna

PN	Description	Gains	LxWxD(mm), Weight	Vertical	Horizontal	Type	Note
PA-242508	2.4G-2.5G	8dBi	120x120x20,400g	65°	75°	PCB	
PA-242513	2.4G-2.5G	13dBi	155x175x30,450g	35°	42°	PCB	
PA-242514	2.4G-2.5G	14dBi	202x202x20,500g	30°	30°	PCB	
PA-515914	5.1G-5.9G	14dBi	120x120x20,400g	29°	34°	PCB	
PA-515919	5.1G-5.9G	19dBi	202x202x20,500g	17°	18°	PCB	
PA-515923	5.1G-5.9G	23dBi	370x370x35,700g	8°	8°	PCB	